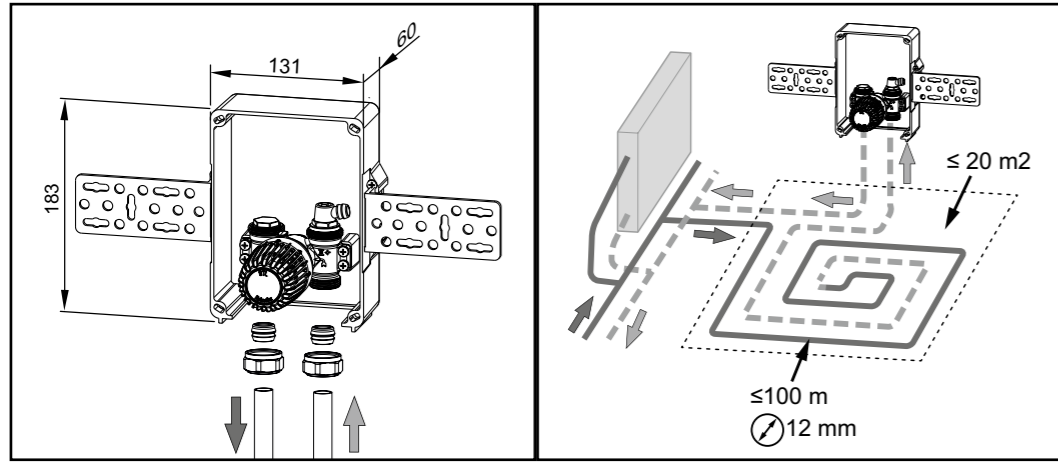
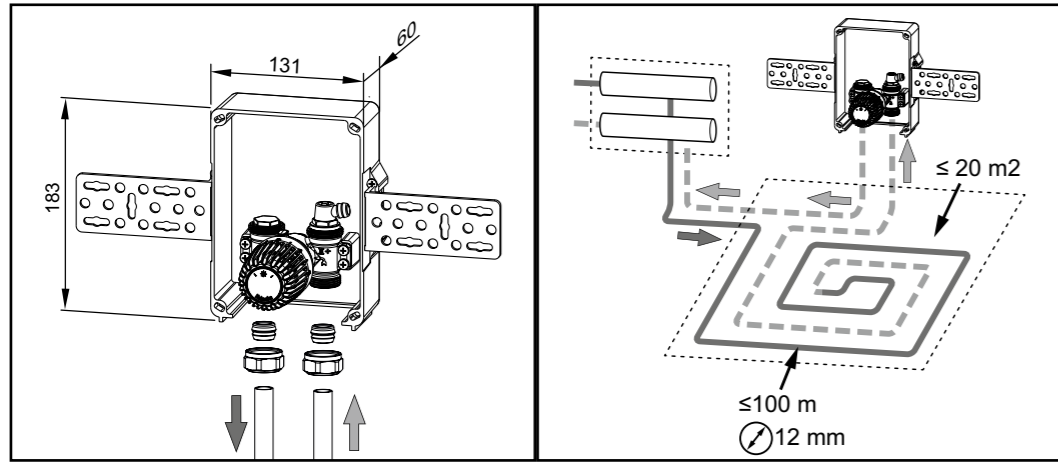


# Multibox Eclipse

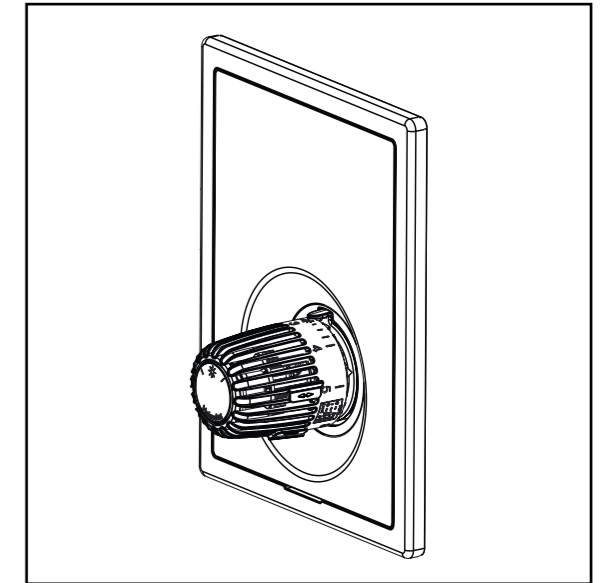
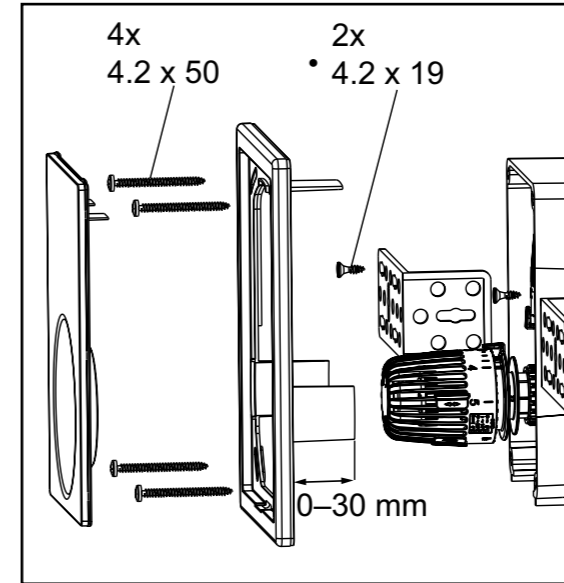
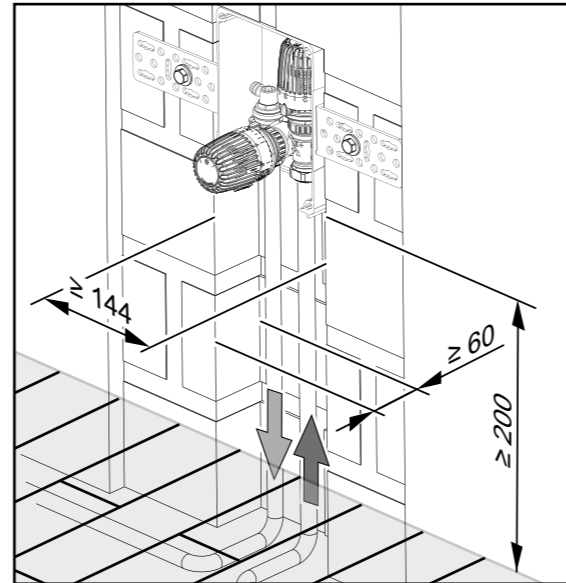
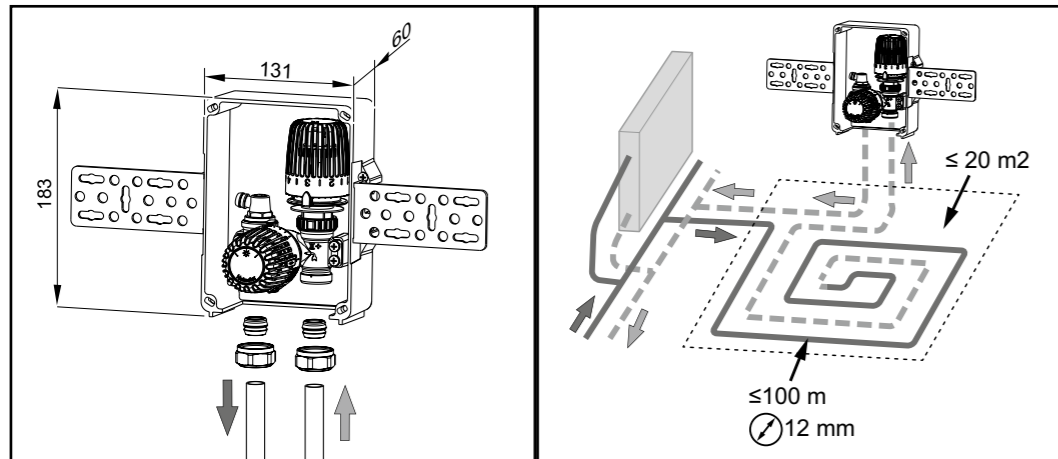
## Multibox Eclipse RTL (9319-00.800)



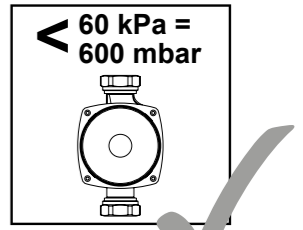
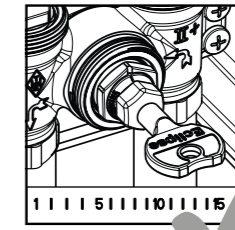
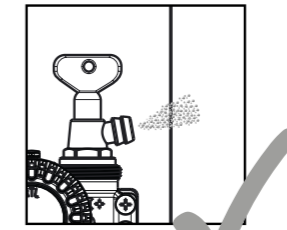
## Multibox Eclipse K (9318-00.800)



## Multibox Eclipse K-RTL (9317-00.800)

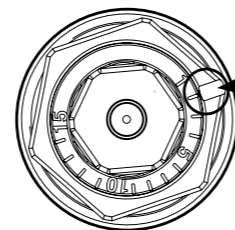


<b>RTL</b>	0	1	2	3	4	5		
[° C]	0	10	20	30	40	50		
<b>K</b>	☼	1	☾	2	☼	3	4	5
[° C]	6	12	14	16	20	24	28	



	1	1	1	1	5	1	1	1	1	10	1	1	1	1	15
<b>l/h</b>	10	20	30	40	50	60	70	80	90	100	110	120	130	140	150

<b>Q̇ [W]</b>	200	250	300	400	500	600	700	800	900	1000	1200	1400	1600	1800	2000	2200	2400	2600	
<b>Δt [K]</b>	l/h																		
5	3	4	5	7	9	10	12	14											
8	2	3	3	4	5	7	8	9	10	11	13	15							
10	2	2	3	3	4	5	6	7	8	9	10	12	14						
15	1	1	2	2	3	3	4	5	5	6	7	8	9	10	12	13	14	15	



Δp min. 10 - 100 l/h = 10 kPa  
Δp min. 100 - 150 l/h = 15 kPa

